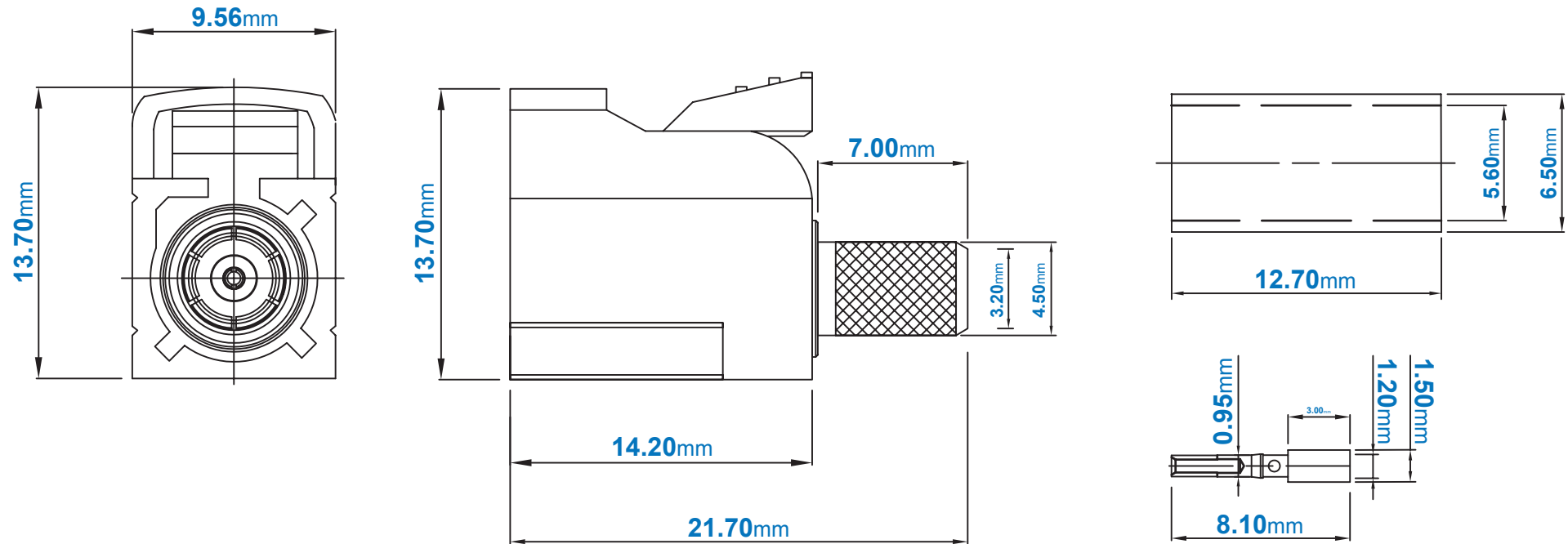


20-FAKRA1007



| | Material | Coating |
|------------------|----------|---------|
| Ferrule | COPPER | NICKEL |
| Shell | DELKIN | NONE |
| Insulator | PTFE | NONE |
| Insulator | PTFE | NONE |
| Pin | Be Cu | GOLD |
| Body | COPPER | NICKEL |

| * Major dimension |
|-----------------------------------|
| UNLESS OTHERWISE NOTED TOLERANCES |
| 0.5-6=±0.2 |
| 6-30=±0.4 |
| 30-120=±0.6 |
| 120-315=±1.0 |
| ANGLES=±1° |

Unless otherwise specified

REMOVE ALL BURRS.
 BREAK ALL CORNERS & EDGES CO.15 MAX.
 CHAMFER 1ST & LAST THREADS 45°.
 DIAMETERS ON COMMON CENTERS.
 TO BE CONCENTRIC WITHIN 0.1 T.I.R.
 ALL DIMENSIONS ARE AFTER PLATING.

UNIVERSAL FAKRA

RoHS 50 Ohm

FAKRA Z FEMALE CRIMP

Suitable for the following cable types
 RG58, CELF200, LMR195, LMR200, AIRCELL5
 ,Belden 9203, RG141, HDF200, RG142, RG400