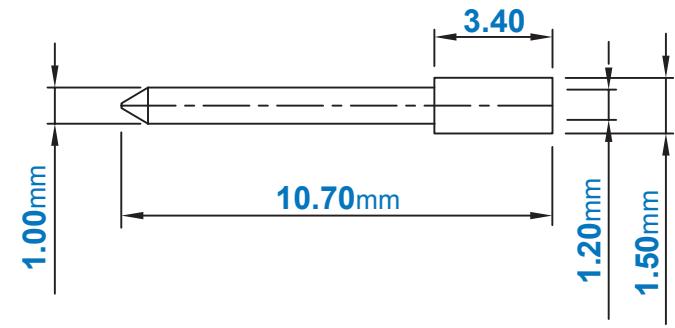
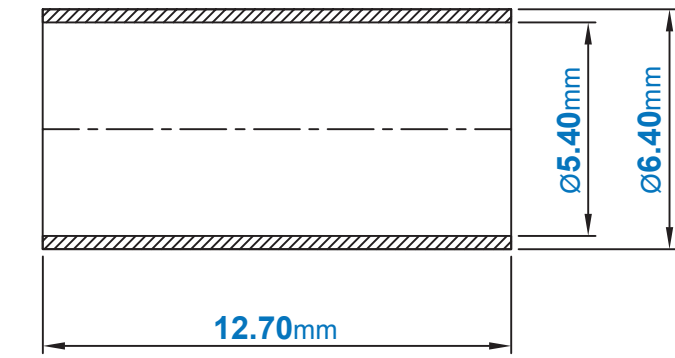
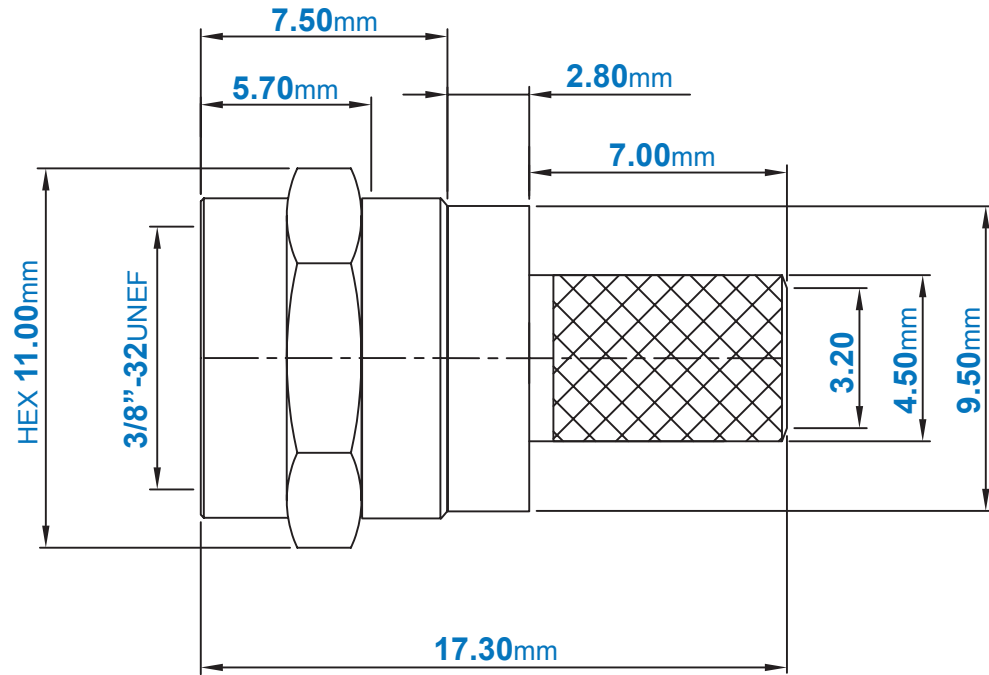


20-F1003



| | Material | Coating |
|------------------|----------|---------|
| Chassis | BRASS | NICKEL |
| Body | BRASS | NICKEL |
| Insulator | TEFLON | NONE |
| Pin | BRASS | GOLD |
| Ferrule | BRASS | NICKEL |

| * Major dimension |
|-----------------------------------|
| UNLESS OTHERWISE NOTED TOLERANCES |
| 0.5-6=±0.2 |
| 6-30=±0.4 |
| 30-120=±0.6 |
| 120-315=±1.0 |
| ANGLES=±1* |

Unless otherwise specified

REMOVE ALL BURRS.

BREAK ALL CORNERS & EDGES CO.15 MAX.

CHAMFER 1ST & LAST THREADS 45°.

DIAMETERS ON COMMON CENTERS.
TO BE CONCENTRIC WITHIN 0.1 T.I.R.

ALL DIMENSIONS ARE AFTER PLATING.

RoHS 50 Ohm

F MALE CRIMP

Suitable for the following cable types
 RG58, CELF200, LMR195, LMR200, AIRCELL5
 ,Belden 9203, RG141, HDF200, RG142, RG400