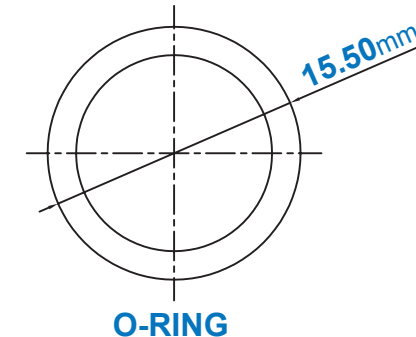
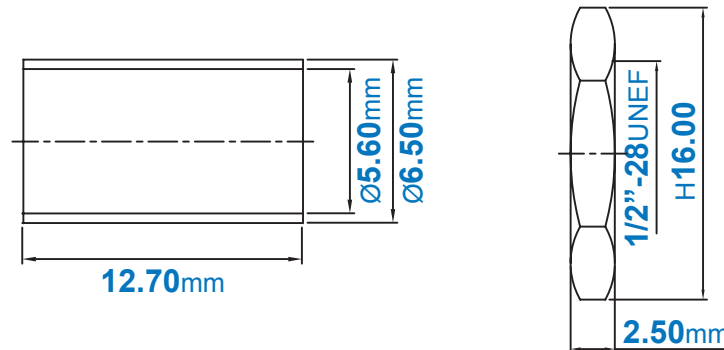
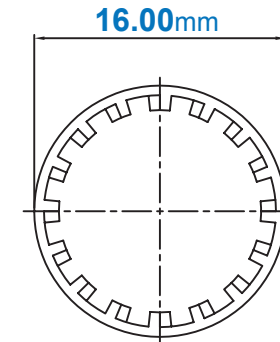
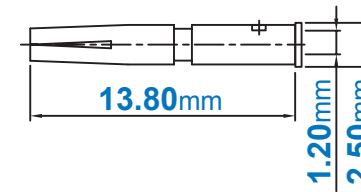
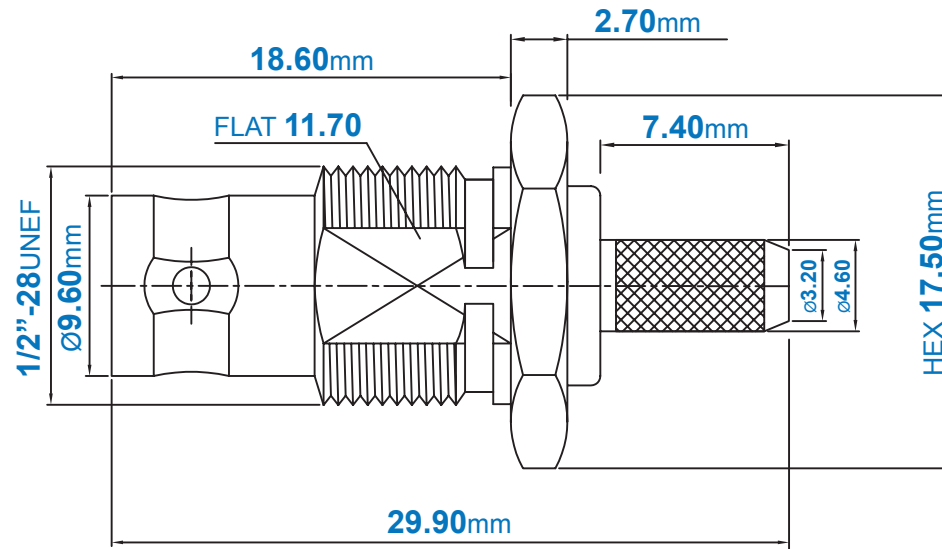


20-BNC1012

BKD Bulkhead



	Material	Coating
Body	BRASS	NICKEL
Nut	BRASS	NICKEL
Washer	BRASS	NICKEL
Gasket	SI-RUBBER	NICKEL
Insulator	TEFLON	NONE
Washer	BRASS	NICKEL
Pin	BRASS	GOLD
Ring	BRASS	NICKEL

* Major dimension
UNLESS OTHERWISE NOTED TOLERANCES
0.5-6=±0.2
6-30=±0.4
30-120=±0.6
120-315=±1.0
ANGLES=±1*

Unless otherwise specified

REMOVE ALL BURRS.

BREAK ALL CORNERS & EDGES CO.15 MAX.

CHAMFER 1ST & LAST THREADS 45*.

DIAMETERS ON COMMON CENTERS.
TO BE CONCENTRIC WITHIN 0.1 T.I.R.

ALL DIMENSIONS ARE AFTER PLATING.

RoHS 50 Ohm

BNC FEMALE BKD CRIMP

Suitable for the following cable types
RG58, CELF200, LMR195, LMR200, AIRCELL5
, Belden 9203, RG141, HDF200, RG142, RG400